

KATADYN MINI - *the smallest water filter*

PRODUCT CHARACTERISTICS

Technology: Pump filter, ceramic depth filtration (0.2 microns = 0.0002 mm pores)

Effect: Eliminates bacteria, protozoa, cyts, algae, spores, sediments and viruses in combination with particles greater than 0.2 microns. Reduces radioactive particles.

Output: Approx. 0.5 l/min

Capacity: Up to 7,000 l depending on the water quality

Weight: approx. 210 g

Size: 18 x 8 x 5 cm

Guarantee: 1 year

Material: Plastic, silicon, ceramic

Accessories: Prefilter and carry bag

Article No.: 2036000

Series: Ultralight



FACTS

- The right choice for users whose top priority is minimum weight and size.
- Ideal for stays in hotels and short trips.
- For clear water. The Mini can also filter cloudy water, but then needs to be cleaned more often. With increasing resistance, clean filter immediately. Use Katadyn Pocket or Combi for longer periods of use.
- The tried and tested ceramic depth filter removes bacteria, protozoa and other disease-causing agents. The principle: The micro-organisms cannot pass through the mini pores of the filter ceramic (0.2 microns) because of their size (greater than 0.2 microns = 0.0002 mm)
- Unlike disposable filters, the ceramic can be cleaned several times - even in the field

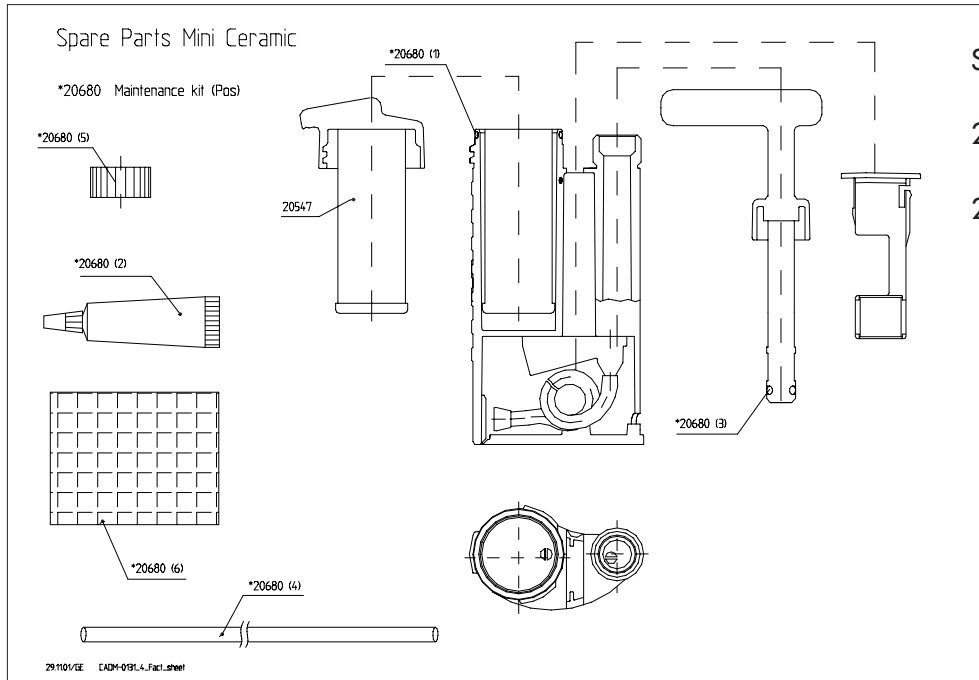
PRODUCT CHARACTERISTICS > BENEFITS

- The smallest portable water filter > there's space for it everywhere
- Minimum weight > great comfort
- Cleanable filter ceramic > filter can be used after cleaning (no disposable filters)
- Few movable parts > simple maintenance
- Capacity of up to 7000 litres > long life with minimum use of spare parts
- Measuring gauge supplied > indicates when the filter element should be changed

SHORT PROFILE
Compact filter with minimal size and weight. For city tours, day trips, hiking. For 1 person.

KATADYN MINI - *the smallest water filter*

SPARE PARTS



Spare part sets

- 20547 Replacement ceramic filter
- 20680 Small parts set

For more details on spare parts not listed in the key, please contact your Katadyn product dealer.

TESTS (Katadyn ceramic filter)

Convenio de Cooperacion Tecnico-Cientifica, Universidad Nacional Mayor de San Marcos, Lima, Peru, 26.11.1991:

Escherichia coli, Fecal Coliforms, Shigella sp., Salmonella typhi, Pseudomonas aeruginosa, Vibrio cholera, Girardia, intestinalis cysts, Entamoeba histolytica cysts

T. Kuepper, S. Schaub and H. Hargutt, Naval Civil Engineering Laboratory, Port Hueneme, CA, USA, 10.1988:

Klebsiella terrigena, Rhodotorula rubra, Cryptosporidium parvum

Katadyn reserves the right to modify product characteristics